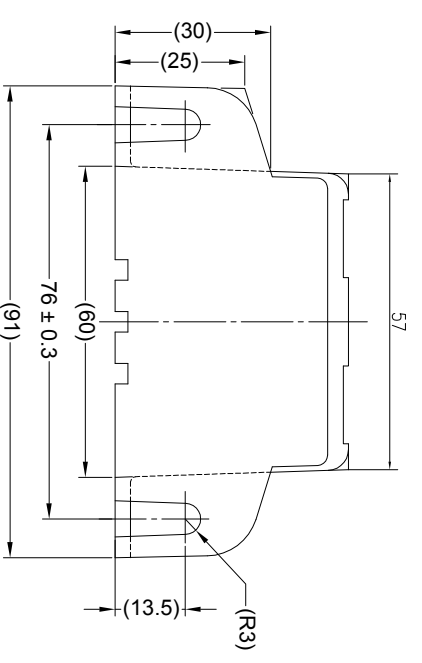
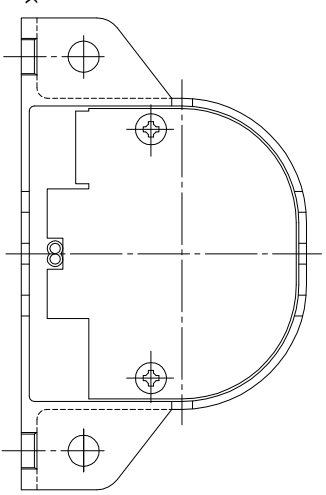
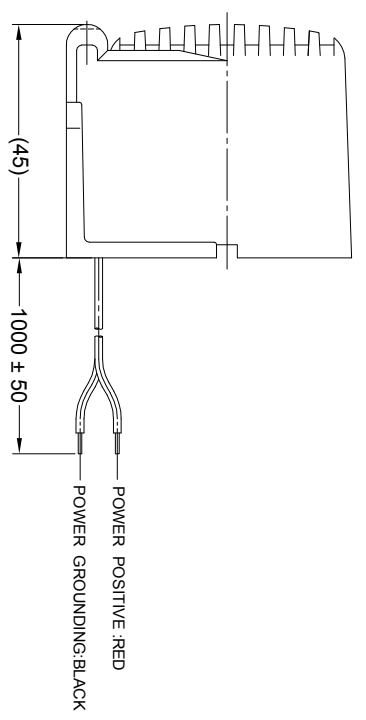
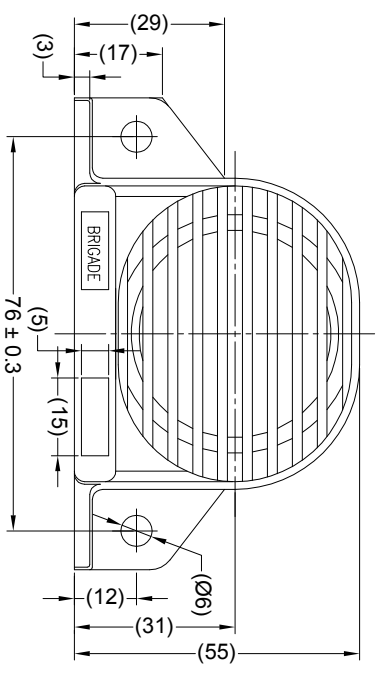
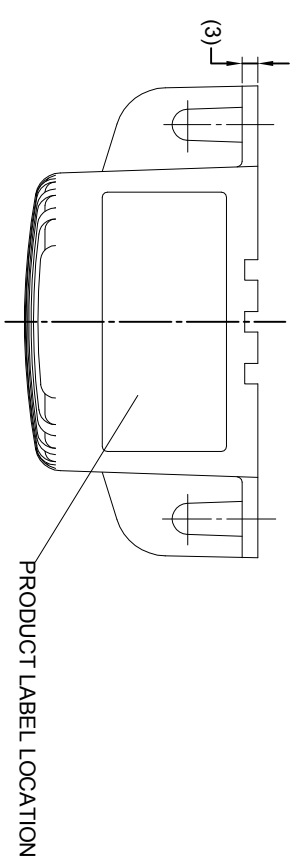


Revision Notes			
R1 - NOTES UPDATES TO INCLUDE LABEL DETAILS, STANDARDS UPDATED AS PER ECR CR- A274.			
AP.A: KILDA	Drawn/BATES	Checked/M.BUTLER	Approved/G.R.LITH
			Date: 28/08/14



- SPECIFICATION:**
- 1) RATED VOLTAGE: 12-24 VOLTS DIRECT CURRENT (WORKING VOLTAGE RANGE 10 ~ 32 VOLTS)
  - 2) RATED CURRENT: 0.5 AMPERES OR LESS
  - 3) SOUND PRESSURE: 67±4 DECIBELS AT TEST VOLTAGES OF 14-28 VOLTS (AS MEASURED AT A DISTANCE OF 1.2 METERS AND AT A HEIGHT OF 1.2 METERS ABOVE THE GROUND)
  - 4) INTERMITTENCE: 70±10 CYCLES PER MINUTE AT TEST VOLTAGES OF 14-28 VOLTS.
  - 5) TONE: WHITE SOUND.

- NOTES:**
1. FOR PRODUCT LABEL REFER TO LATEST REVISION OF DRAWING BE-002833-XX-14.
  2. FOR GIFTBOX LABEL REFER TO LATEST REVISION OF DRAWING BE-002834-XX-14.
  3. "R TRIANGLE" INDICATES CHANGES MADE TO REVISION OF DRAWING AS IDENTIFIED IN REVISION NOTES.



**PROPRIETARY NOTICE**  
 THIS DESIGN AND TECHNICAL INFORMATION APPEARING ON THIS DRAWING IS THE PROPERTY OF BRIGADE ELECTRONICS, AND IS DISCLOSED IN CONFIDENCE. IT IS NOT TO BE COPIED, REPRODUCED, REVEALED TO OR EXPROPRIATED BY OTHERS, EITHER IN WHOLE OR IN PART WITHOUT THE EXPRESS WRITTEN CONSENT OF BRIGADE ELECTRONICS.

**BRIGADE®**  
 www.brigade-electronics.com

 Third Angle	Assembly Pt Approval		Approved by		Checked by		Drawn by		
	DKERAL		DKERAL		DKERAL		DKERAL		
Angle of Projection	Units	Scale	Released	Assembly Ref	Status				
	mm	N/A	22/06/06		RELEASED	BBS-67			
	Part No	BE-000413-01-06							
	1677								

